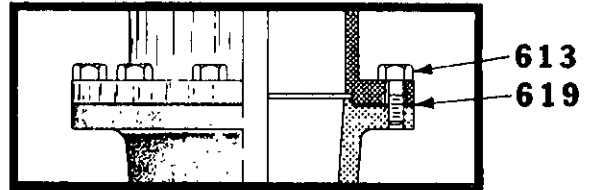
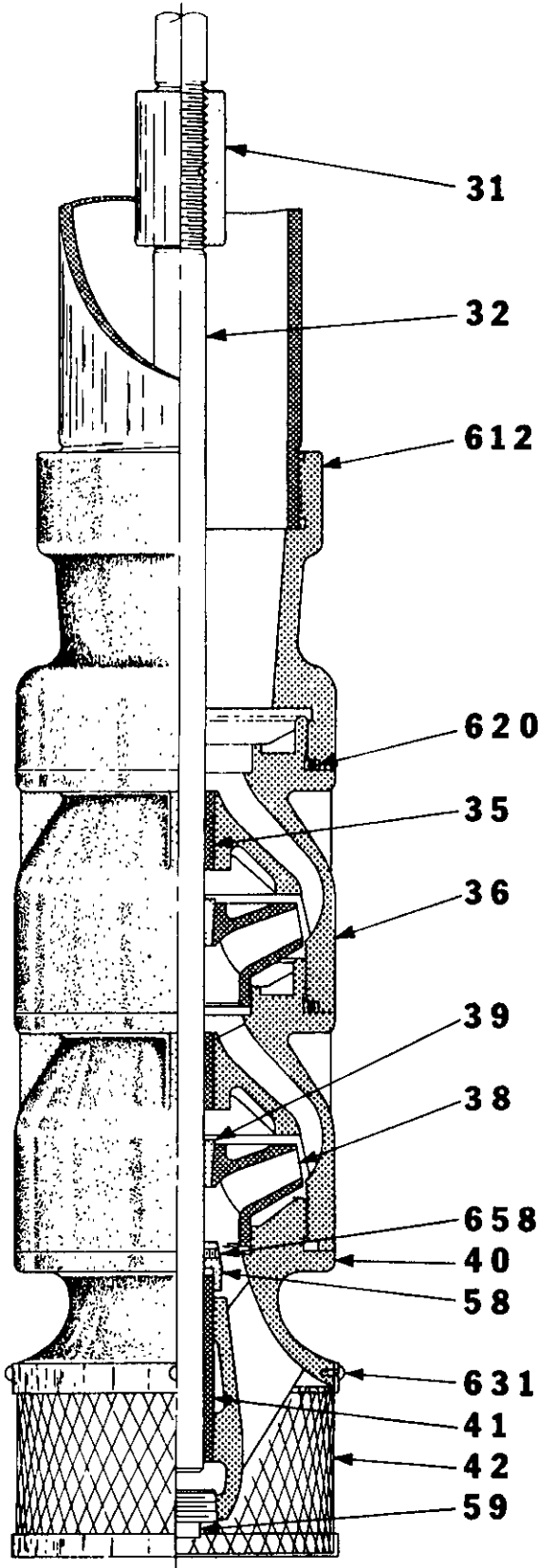


SECTIONAL DRAWING
6 DR, RK SHORT COUPLED BOWLS
OPEN LINE SHAFT

SECTION: 9100
DWG. NO.: 8511-B03A
DATE: MAY 1, 1981
SUPERSEDES: SEPT. '80

ALSO SUPERSEDES:
PBS-182,203,213
8511-B04A



FLANGED BOWL TO COLUMN CONDITION

ITEM NO.	PART NAME	MATERIAL	
		STD.	OPTIONAL
660	BOWL ASSY	----	
*	31 IMP. SHAFT COUPLING	STEEL	
	32 IMPELLER SHAFT	410 SS	
	35 BEARING, INT	BRONZE	
	36 INTERMEDIATE	C. I. CL30	
	38 IMPELLER	BRONZE	
	39 COLLET	STN STL.	
	40 SUCTION BELL	C. I. CL30	
	41 BEARING, SUCTION	BRONZE	
	42 STRAINER	STEEL	
	58 SAND COLLAR	BRONZE	
	59 SUCTION PLUG	C. I.	
	612 DISCHARGE ADAPTOR	C. I. CL30	
	613 CAP SCREW, BOWL/COL.	STEEL	
	619 GASKET, BOWL/COL.	----	
	620 O'RING, BOWL	RUBBER	
	631 MACH SCREW, STRAINER	STN STL.	
	658 SET SCREW, COLLAR	STN. STL.	

- * NOT FURNISHED FOR DIRECT CONNECT UNITS.
- ◆ OPTIONAL - FURNISHED ONLY WHEN SPECIFIED.
- NOT FURNISHED WHEN AN OPTIONAL SYNTHETIC SUCTION BEARING MATERIAL IS SPECIFIED.
- OPTIONAL - FURNISHED WHEN SPECIFIED OR WHEN OPERATING PRESSURE IS 150 PSI OR GREATER.
- △ OPTIONAL - FURNISHED WHEN SPECIFIED OR WHEN REQUIRED DUE TO BOWL PRESSURE LIMITATIONS.

*** NOT FURNISHED FOR DIRECT CONNECT UNITS.**

◆ OPTIONAL - FURNISHED ONLY WHEN SPECIFIED.

■ NOT FURNISHED WHEN AN OPTIONAL SYNTHETIC SUCTION BEARING MATERIAL IS SPECIFIED.

□ OPTIONAL - FURNISHED WHEN SPECIFIED OR WHEN OPERATING PRESSURE IS 150 PSI OR GREATER.

△ OPTIONAL - FURNISHED WHEN SPECIFIED OR WHEN REQUIRED DUE TO BOWL PRESSURE LIMITATIONS.

NOTE:
THIS DRAWING ALSO COVERS THE FOLLOWING INACTIVE BOWLS:
6M



A Marley Company
LAYNE & BOWLER, INC.
 MEMPHIS, TN 38108 USA

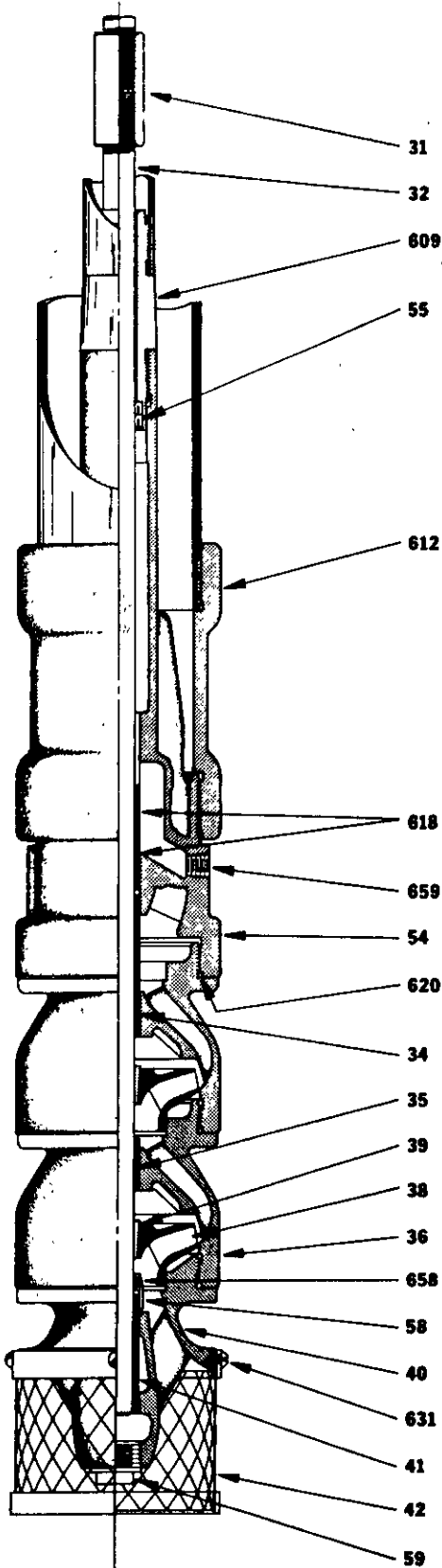
SECTIONAL DRAWING

6 DR. RK SHORT COUPLED BOWLS

ENCLOSED LINESHAFT

THREADED DISCHARGE CONN.

SECTION 4100
 DRWG. NO. 8511-B12B
 DATE Nov. 1, 1978
 SUPERSEDES



ITEM NO	PART NAME	MATERIAL	
		STD	OPTIONAL
660	BOWL ASSY	---	---
31	IMP. SHAFT COUPLING	STEEL	
32	IMPELLER SHAFT	410SS	
34	BEARING, TOP INT.	BRONZE	
35	BEARING, INT	BRONZE	
36	INTERMEDIATE	C.I. CL30	
38	IMPELLER	BRONZE	
39	COLLET	STN. STL	
40	SUCTION BELL	C.I. CL30	
41	BEARING, SUCTION	BRONZE	
◆ 42	STRAINER	STEEL	
54	DISCHARGE NOZZLE	C.I. CL30	
● 55	OIL SEAL (Z)	RUBBER	
■ 58	SAND COLLAR	BRONZE	
■ 59	SUCTION PLUG	C.I.	
609	MAIN BEARING	BRONZE	
612	DISCHARGE ADAPTOR	C.I. CL30	
618	BEARING, DISCH. NOZZ	BRONZE	
△ 620	O'RING, BOWL	RUBBER	
631	MACH. SCREW, STRAINER	STN. STL	
658	SET SCREW, COLLAR	STN. STL	
* 659	PLUG, RELIEFPORT (Z)	C.I.	

- ◆ OPTIONAL - FURNISHED ONLY WHEN SPECIFIED.
- NOT FURNISHED FOR FORCED WATER LUBRICATION.
- NOT FURNISHED WHEN AN OPTIONAL SYNTHETIC SUCTION BEARING MATERIAL IS SPECIFIED.
- △ OPTIONAL - FURNISHED WHEN SPECIFIED OR WHEN REQUIRED BY BOWL PRESSURE LIMITATIONS.
- * RELIEF PORTS NORMALLY OPEN - PLUGS FURNISHED ONLY FOR FORCED WATER LUBRICATION WHEN LUBE PRESSURE EXCEEDS PUMP PRESSURE.



A Marley Company
LAYNE & BOWLER, INC.
 MEMPHIS, TN 38108 USA

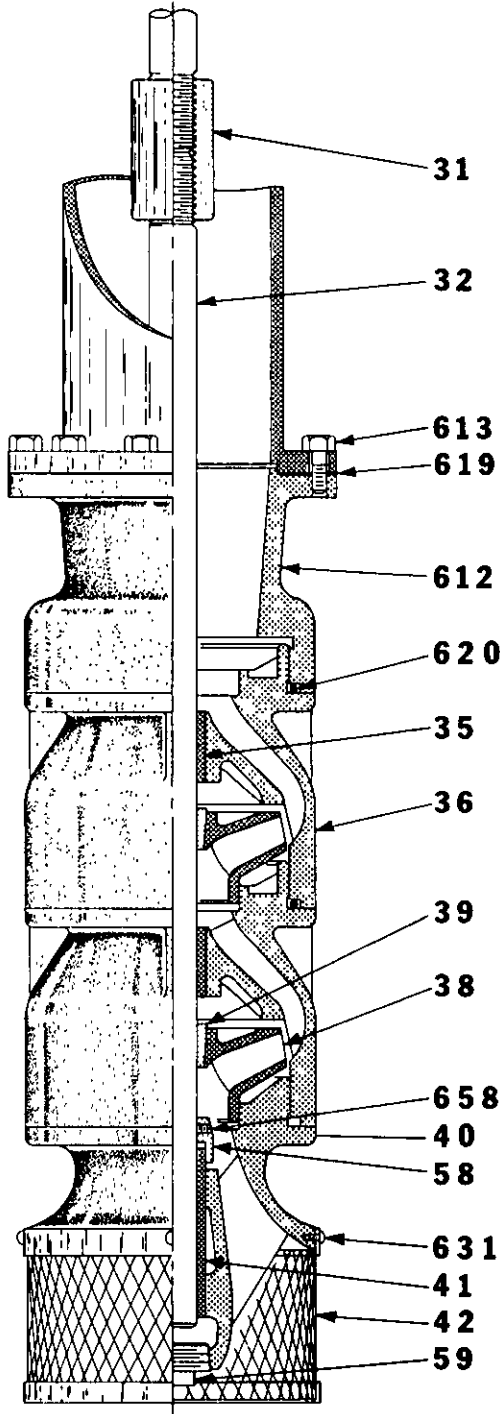
SECTIONAL DRAWING

6DR, RK SHORT COUPLED BOWLS

OPEN LINE SHAFT

FLANGED DISCHARGE CONN.

SECTION 9100
 DRWG. NO. 8511-804A
 DATE Nov. 1, 1978
 SUPERSEDES June '77



NO ITEM	PART NAME	MATERIAL	
		STD	OPTIONAL
660	BOWL ASSY	----	
* 31	IMP. SHAFT COUPLING	STEEL	
32	IMPELLER SHAFT	410SS	
35	BEARING, INT	BRONZE	
36	INTERMEDIATE	C. I. CL30	
38	IMPELLER	BRONZE	
39	COLLET	STN.STL.	
40	SUCTION BELL	C. I. CL30	
41	BEARING, SUCTION	BRONZE	
◆ 42	STRAINER	STEEL	
■ 58	SAND COLLAR	BRONZE	
■ 59	SUCTION PLUG	C. I. /STL	
612	DISCHARGE ADAPTOR	C. I. CL30	
613	CAP SCREW, BOWL COL	STEEL	
□ 619	GASKET, BOWL/COL	----	
△ 620	O'RING, BOWL	RUBBER	
631	MACH.SCREW,STRAINER	STN.STL	
658	SET SCREW,COLLAR	STN.STL.	

* NOT FURNISHED FOR DIRECT CONNECT UNITS.

◆ OPTIONAL-FURNISHED ONLY WHEN SPECIFIED.

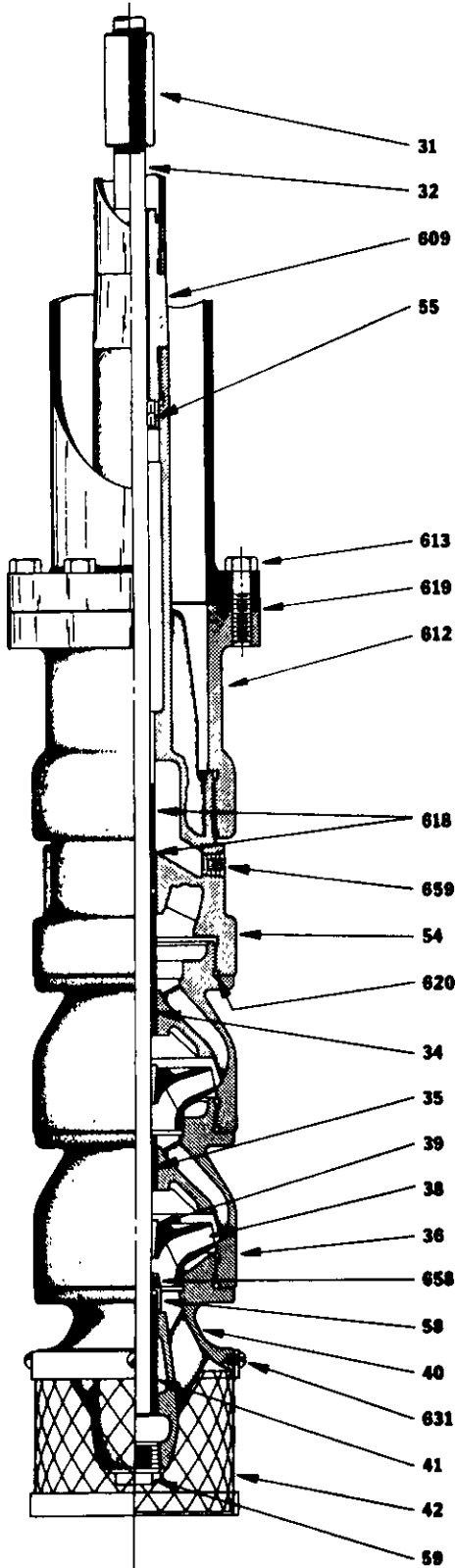
■ NOT FURNISHED WHEN AN OPTIONAL SYNTHETIC SUCTION BEARING MATERIAL IS SPECIFIED.

△ OPTIONAL -FURNISHED WHEN SPECIFIED OR WHEN REQUIRED DUE TO BOWL PRESSURE LIMITATIONS.

□ OPTIONAL - FURNISHED WHEN SPECIFIED OR WHEN OPERATING PRESSURE IS 250 PSI OR GREATER.

SECTIONAL DRAWING
6 DR, RK SHORT COUPLED BOWLS
ENCLOSED LINE SHAFT
FLANGED DISCHARGE CONN.

SECTION 4100
DRWG. NO. 8511-B13A
DATE Nov. 1, 1978
SUPERSEDES



ITEM NO	PART NAME	MATERIAL	
		STD	OPTIONAL
660	BOWL ASSY	---	
31	IMP. SHAFT COUPLING	STEEL	
32	IMPELLER SHAFT	410SS	
34	BEARING, TOP INT.	BRONZE	
35	BEARING, INT.	BRONZE	
36	INTERMEDIATE	C.I. CL30	
38	IMPELLER	BRONZE	
39	COLLET	STN STL	
40	SUCTION BELL	C.I. CL30	
41	BEARING, SUCTION	BRONZE	
◆	42 STRAINER	STEEL	
54	DISCHARGE NOZZLE	C.I. CL 30	
●	55 OIL SEAL (2)	RUBBER	
■	58 SAND COLLAR	BRONZE	
■	59 SUCTION PLUG	C.I.	
609	MAIN BEARING	BRONZE	
612	DISCHARGE ADAPTOR	C.I. CL30	
613	CAP SCREW, COL/BOWL	STEEL	
618	BEARING, DISCH. NOZZ.	BRONZE	
□	619 GASKET, COL/BOWL	---	
△	620 O'RING, BOWL	RUBBER	
631	MACH SCREW, STRAINER	STN. STL	
658	SET. SCREW, COLLAR	STN STL.	
◆	659 PLUG, RELIEF PORTS (2)	C.I.	

- ◆ OPTIONAL - FURNISHED ONLY WHEN SPECIFIED
- NOT FURNISHED FOR FORCED WATER LUBRICATION.
- NOT FURNISHED WHEN AN OPTIONAL SYNTHETIC SUCTION BEARING MATERIAL IS SPECIFIED.
- OPTIONAL - FURNISHED WHEN SPECIFIED OR WHEN OPERATING PRESSURE IS 250 PSI AND GREATER
- △ OPTIONAL - FURNISHED WHEN SPECIFIED OR WHEN REQUIRED DUE TO BOWL PRESSURE LIMITATIONS.
- ◆ PORTS NORMALLY OPEN - PLUGS FURNISHED ONLY WITH FORCED WATER LUBRICATION WHEN LUBE PRESSURE EXCEEDS BOWL OPERATING PRESSURE.