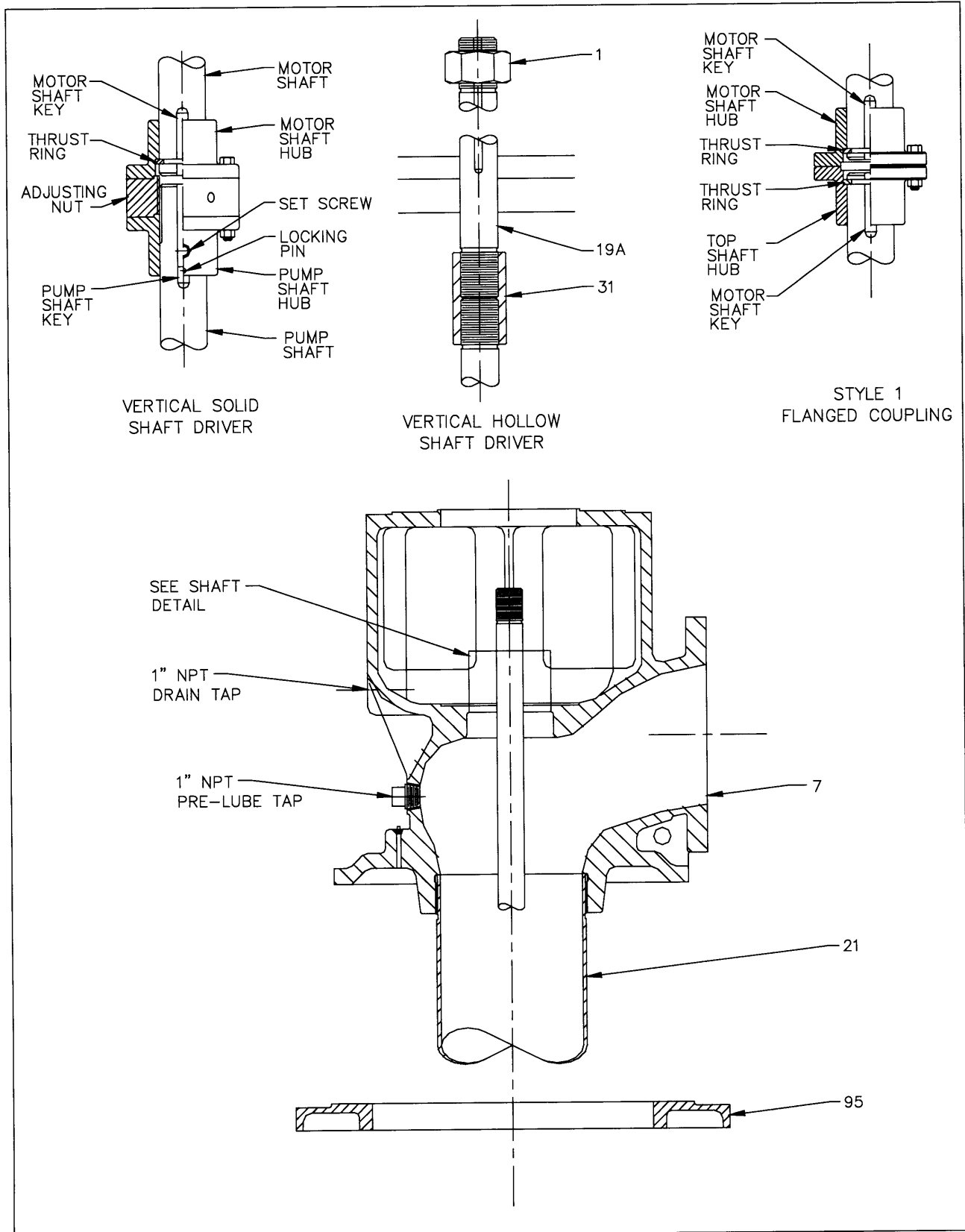


**ASSEMBLY
 TYPE "SDC" DISCHARGE HEAD**



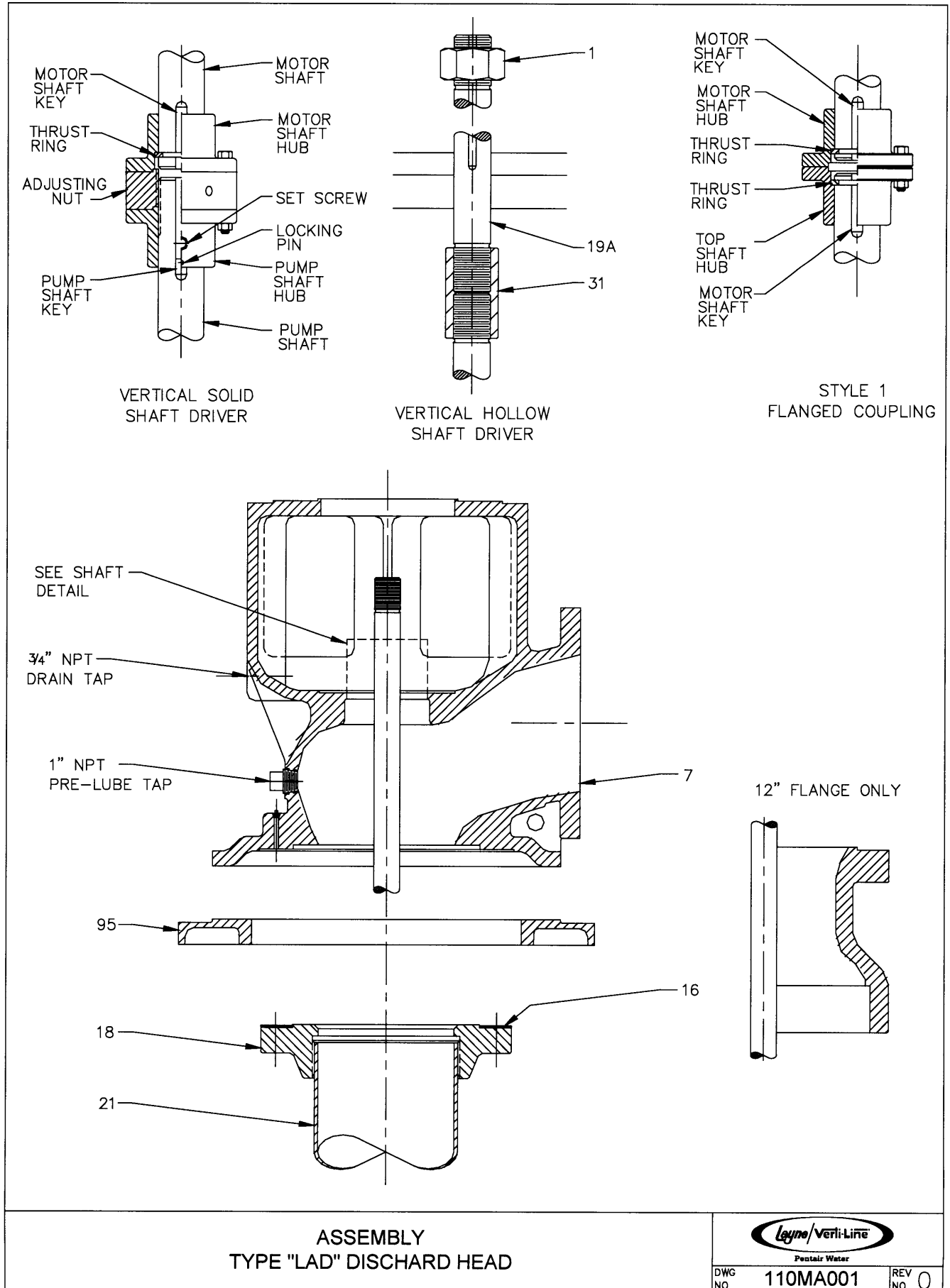
DWG NO 110MA002 REV NO 0



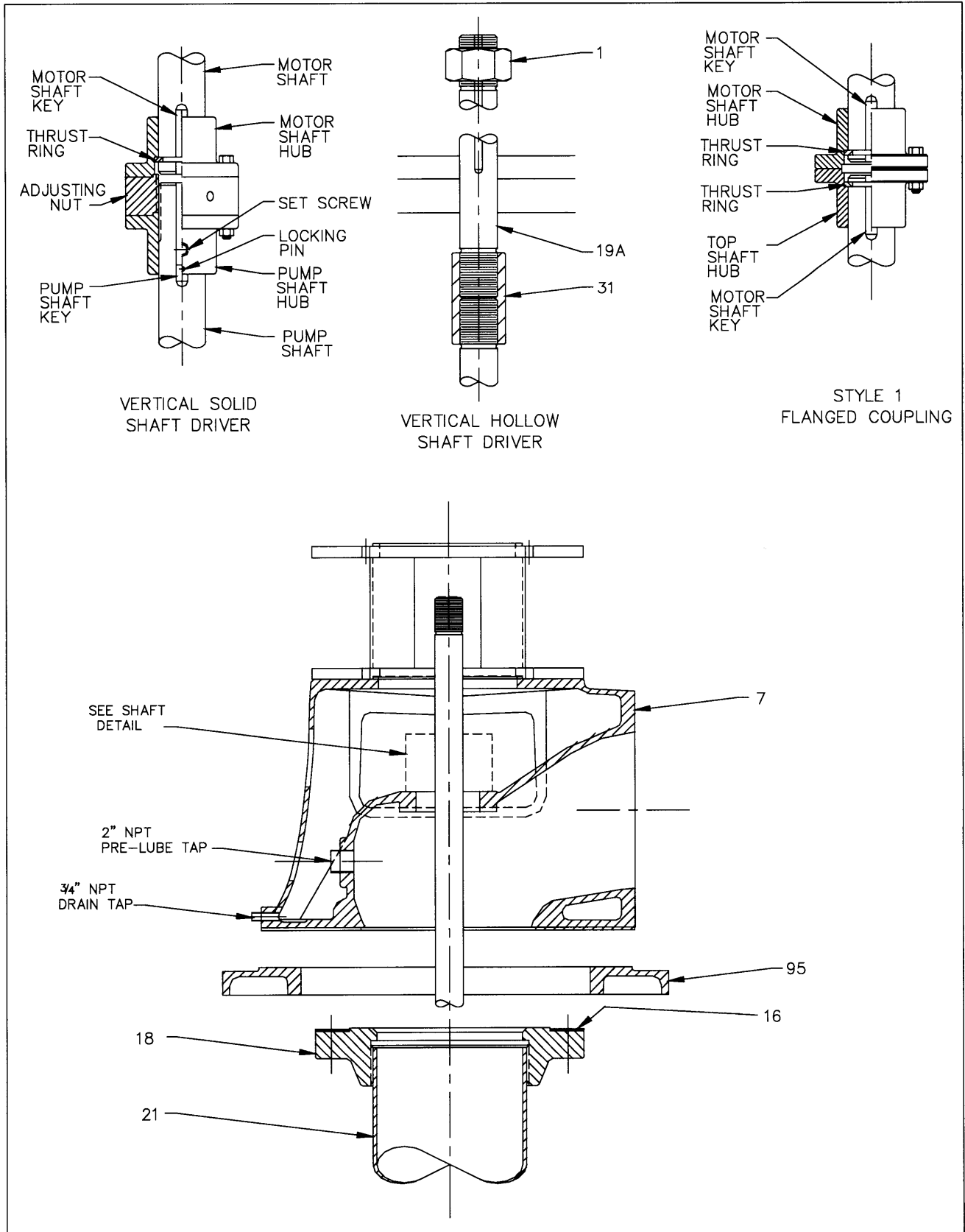
ASSEMBLY
TYPE "LADC" DISCHARGE HEAD



DWG NO 110MA004 REV NO 0



Layne/Verti-Line		
<small>Pentair Water</small>		
DWG NO	110MA001	REV NO 0



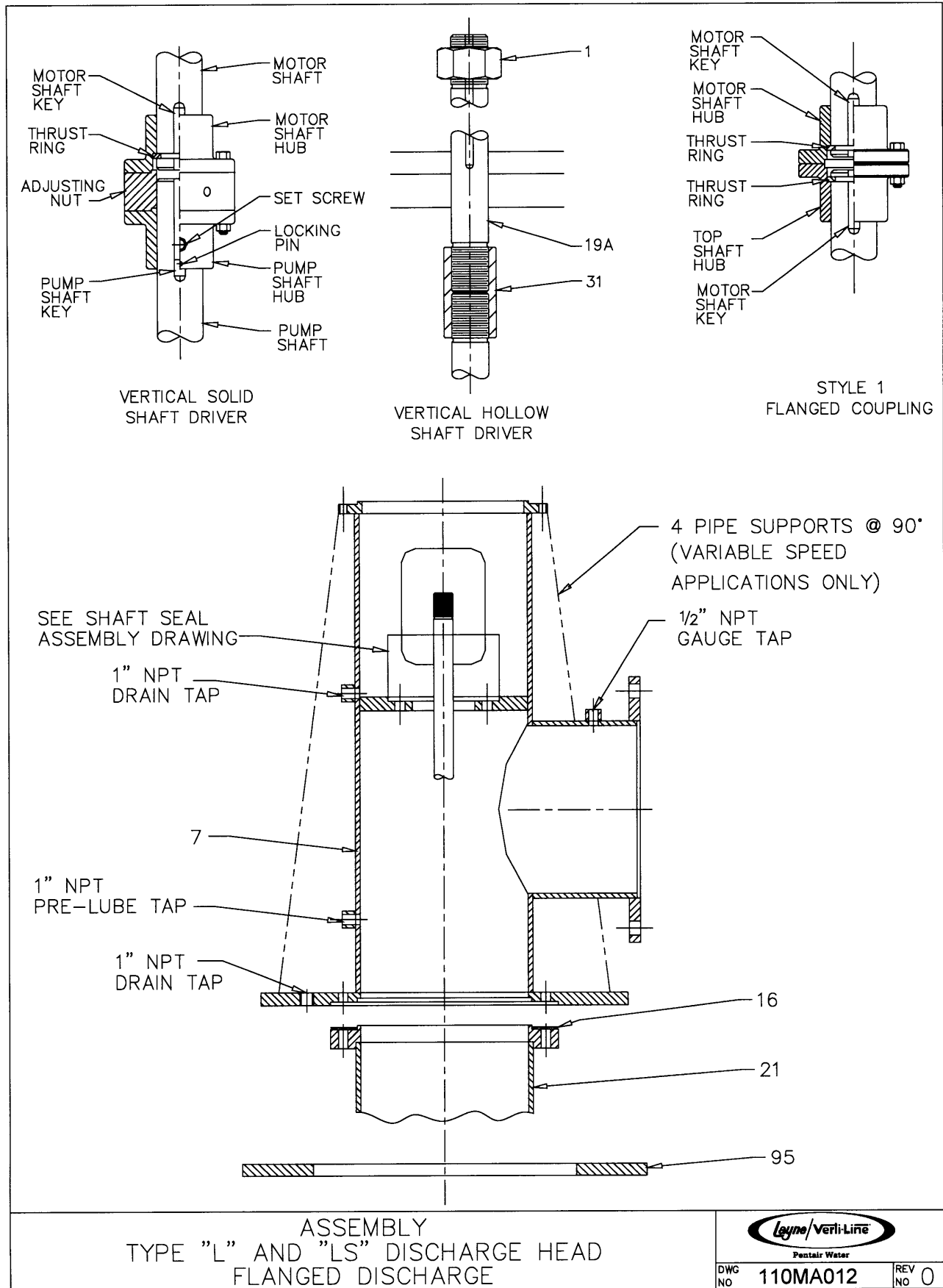
ASSEMBLY
TYPE "LV" DISCHARGE HEAD



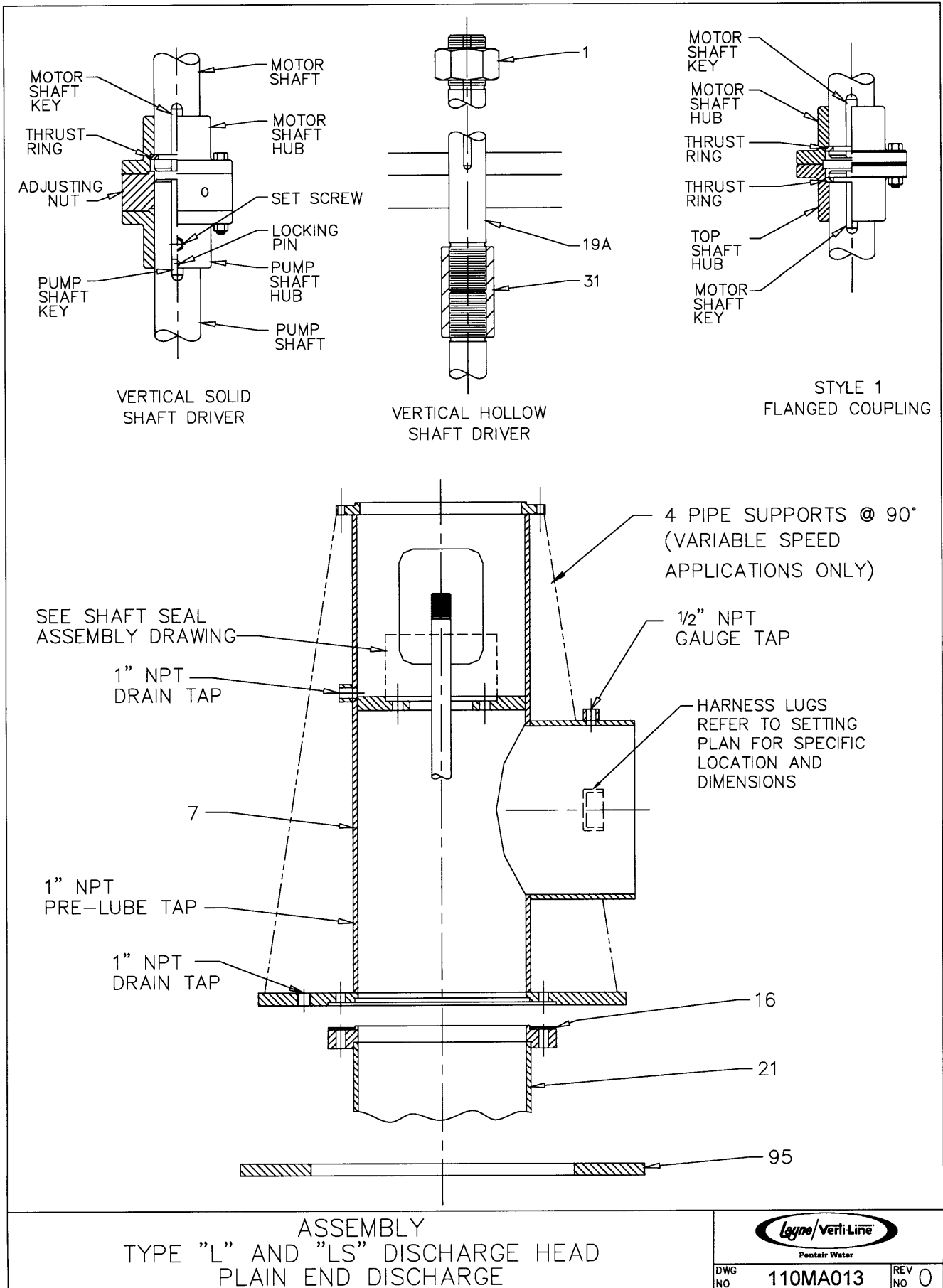
Pentair Water

DWG NO 110MA003

REV NO



 Pentair Water		
DWG NO	110MA012	REV NO 0

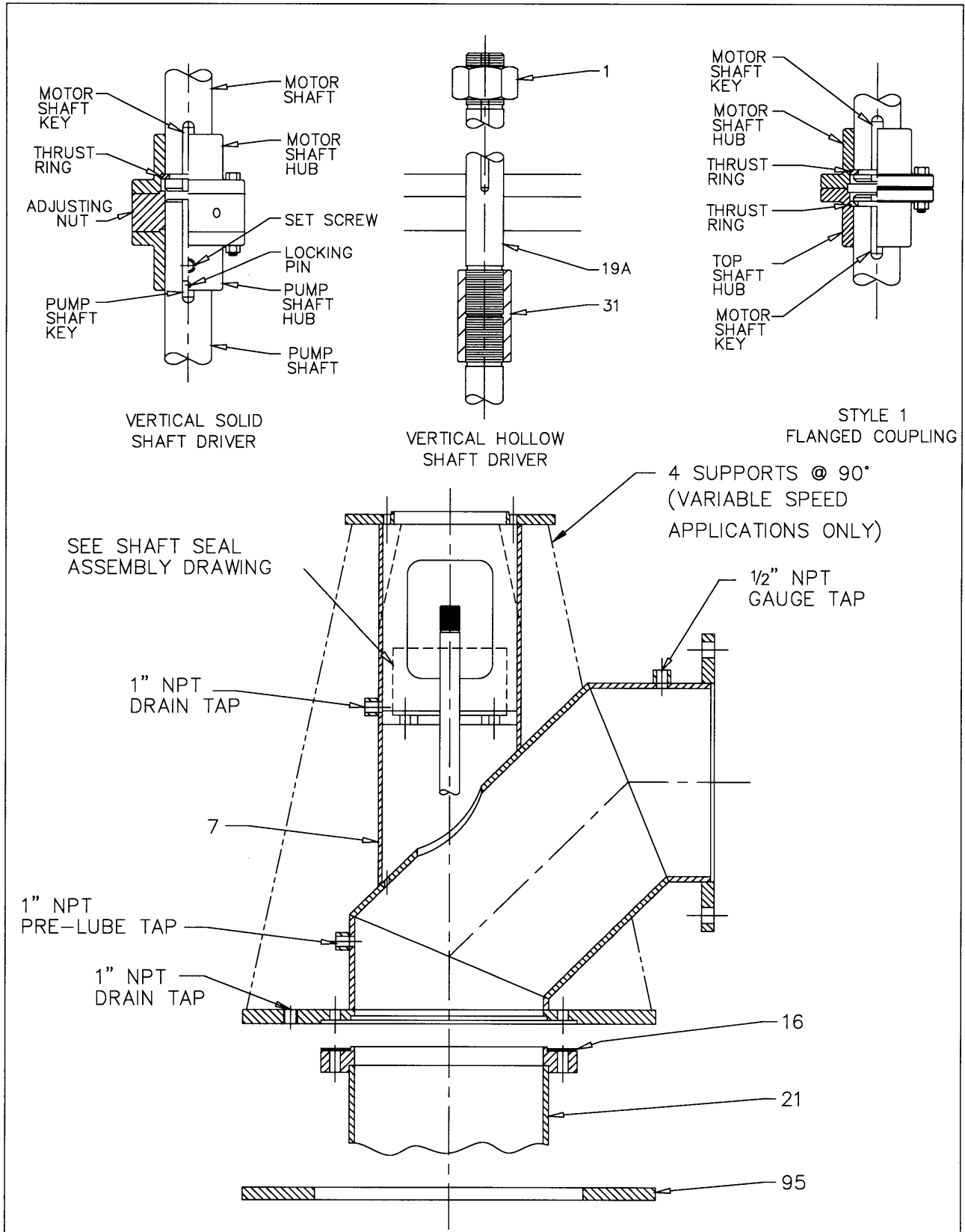


ASSEMBLY
TYPE "L" AND "LS" DISCHARGE HEAD
PLAIN END DISCHARGE



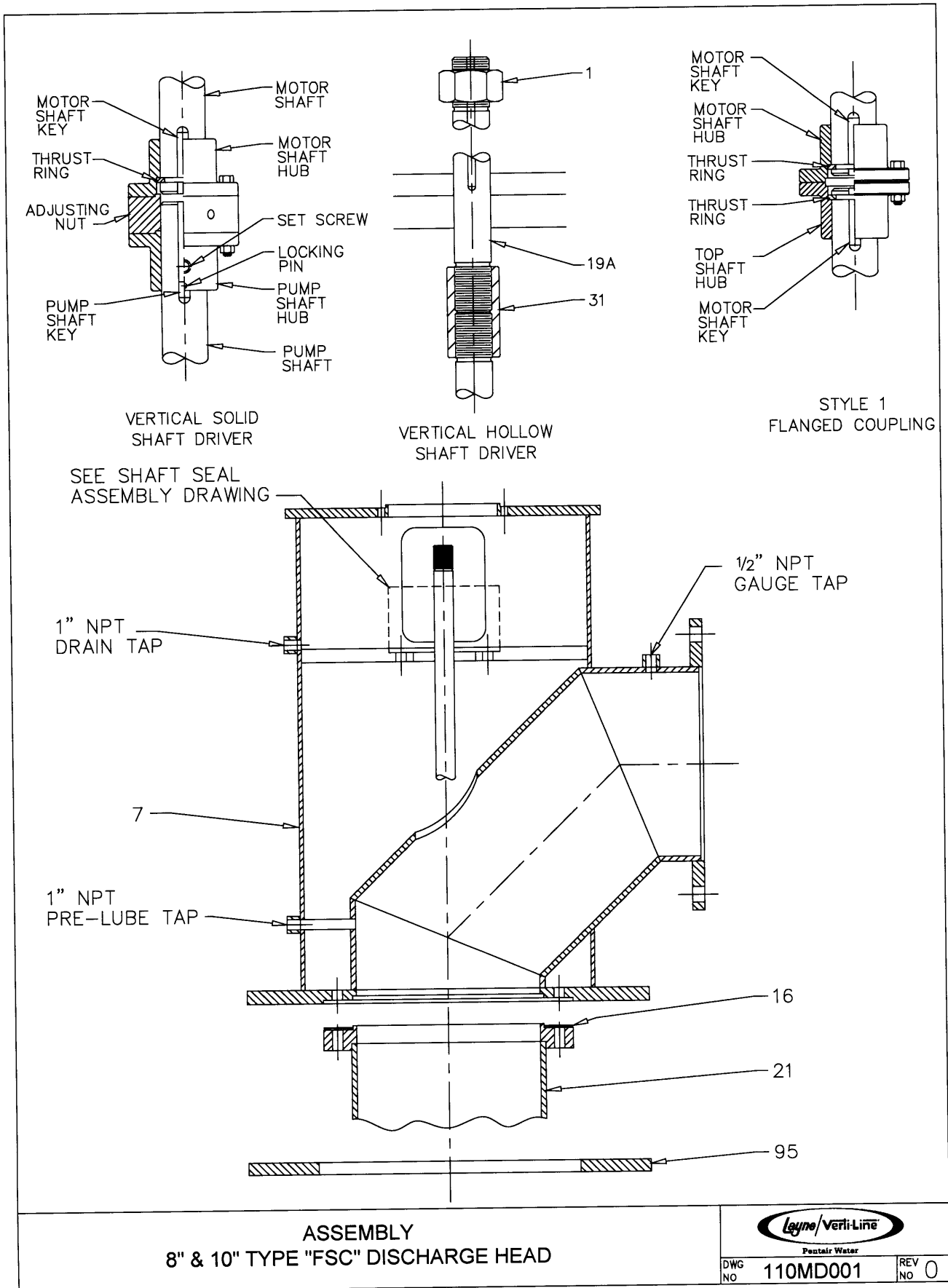
Pentair Water

DWG NO 110MA013 REV NO 0



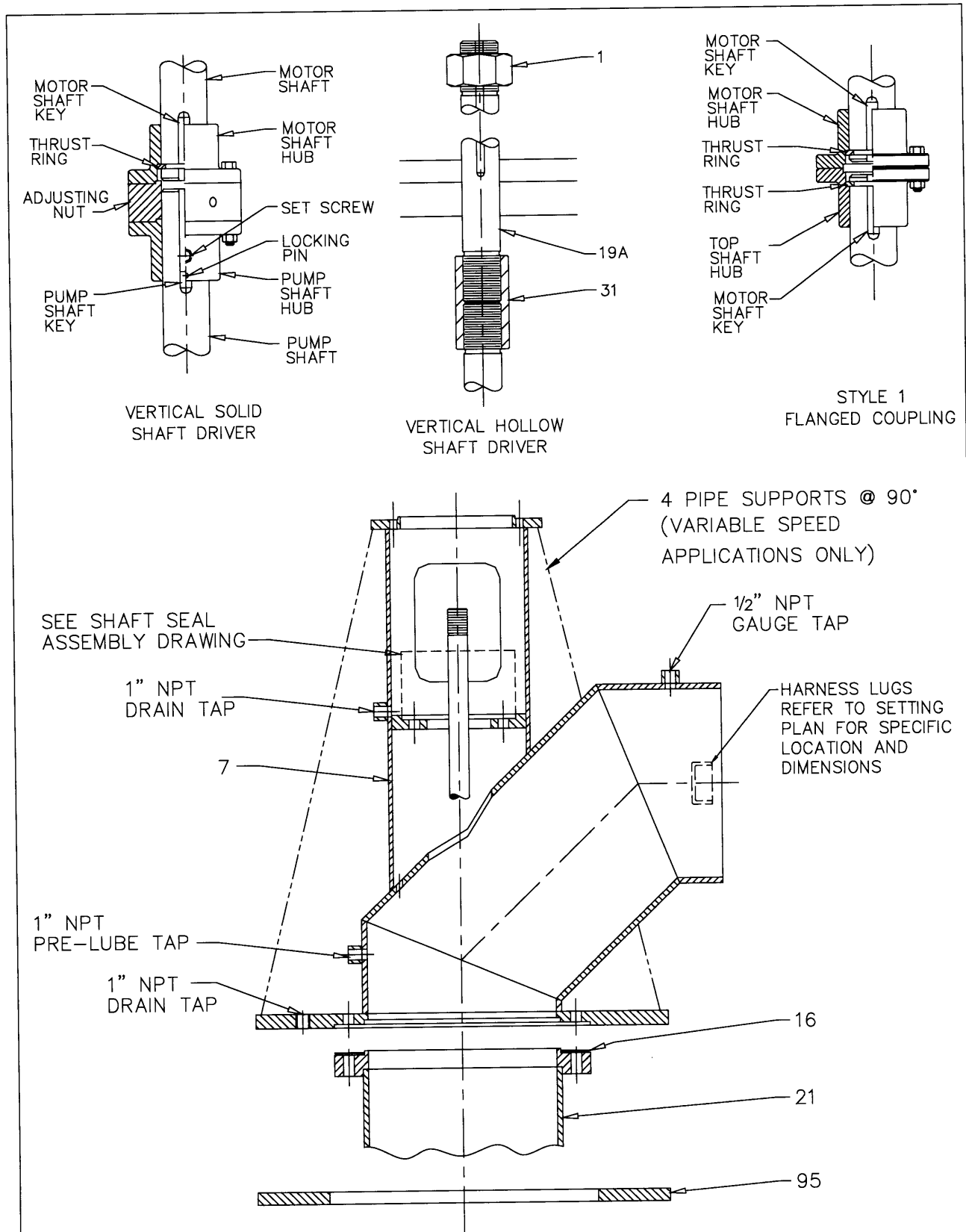
ASSEMBLY
 12" & ABOVE TYPE "FSC" DISCHARGE HEAD

<small>Pentair Water</small>	
DWG NO	110MA006
REV NO	0



ASSEMBLY
8" & 10" TYPE "FSC" DISCHARGE HEAD

Layne/Verti-Line	
<small>Pentair Water</small>	
DWG NO	110MD001
REV NO	0

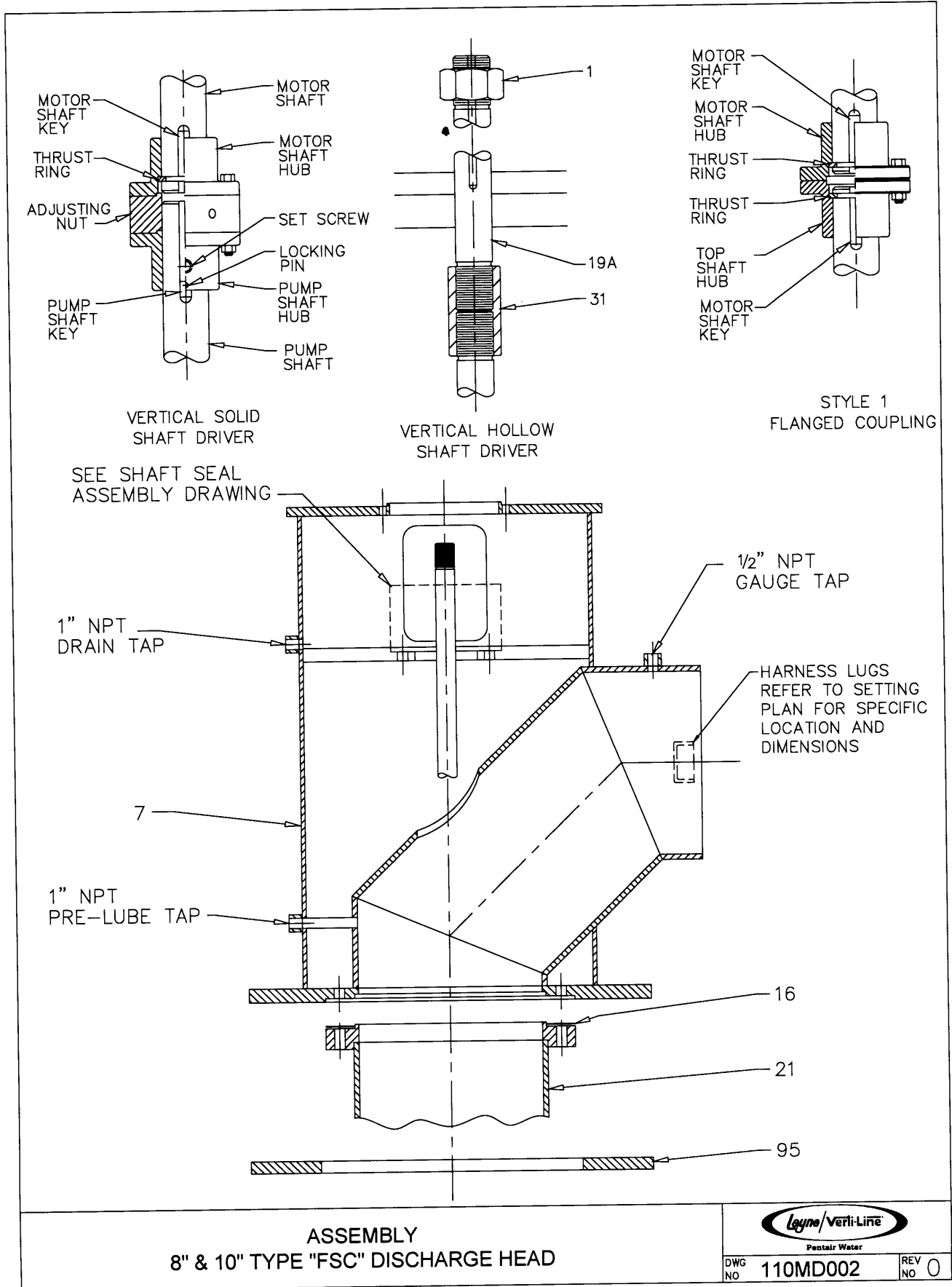


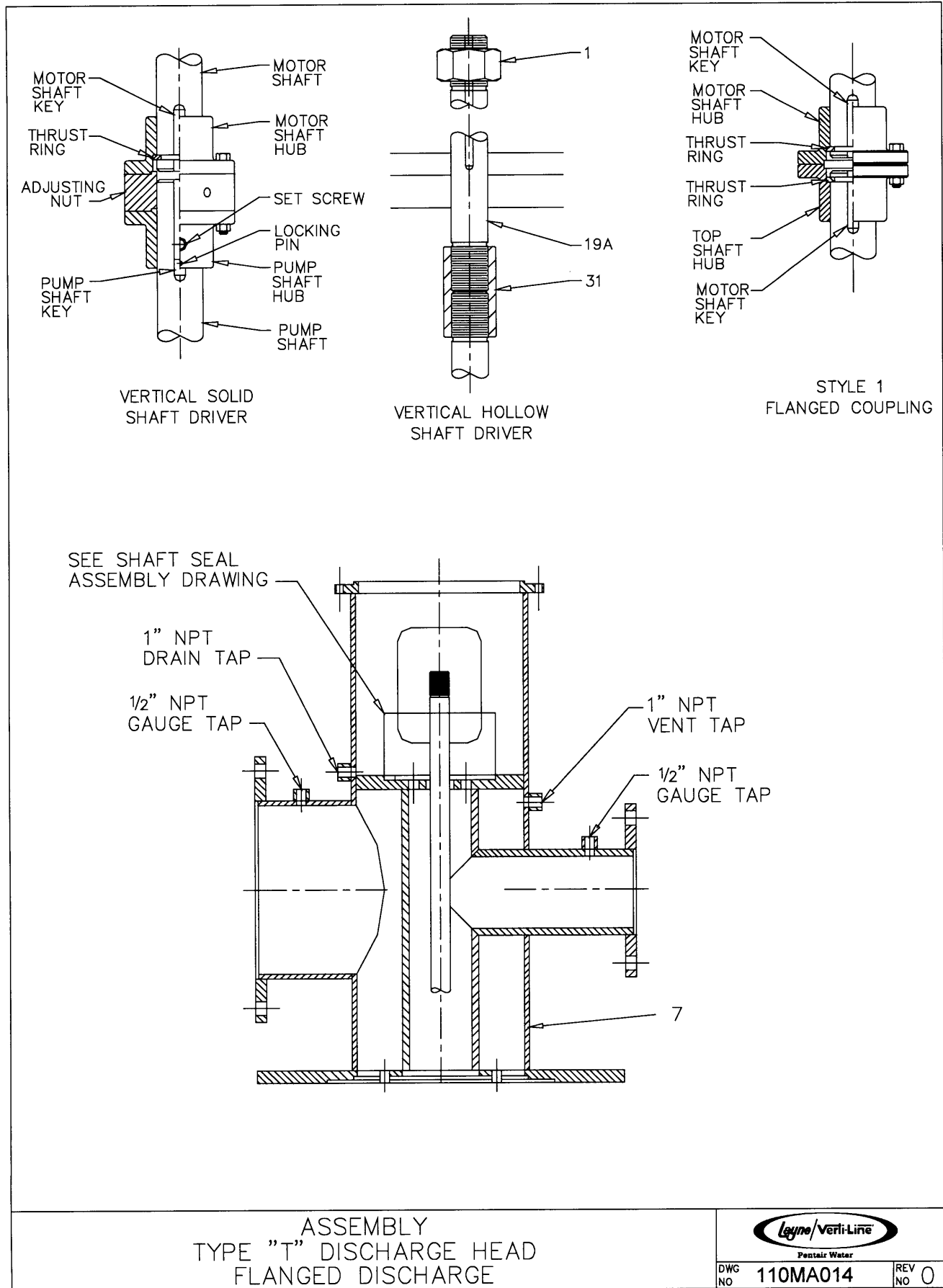
ASSEMBLY
12" & ABOVE TYPE "FSC" DISCHARGE HEAD



Pentair Water

DWG NO **110MA007** REV NO 0

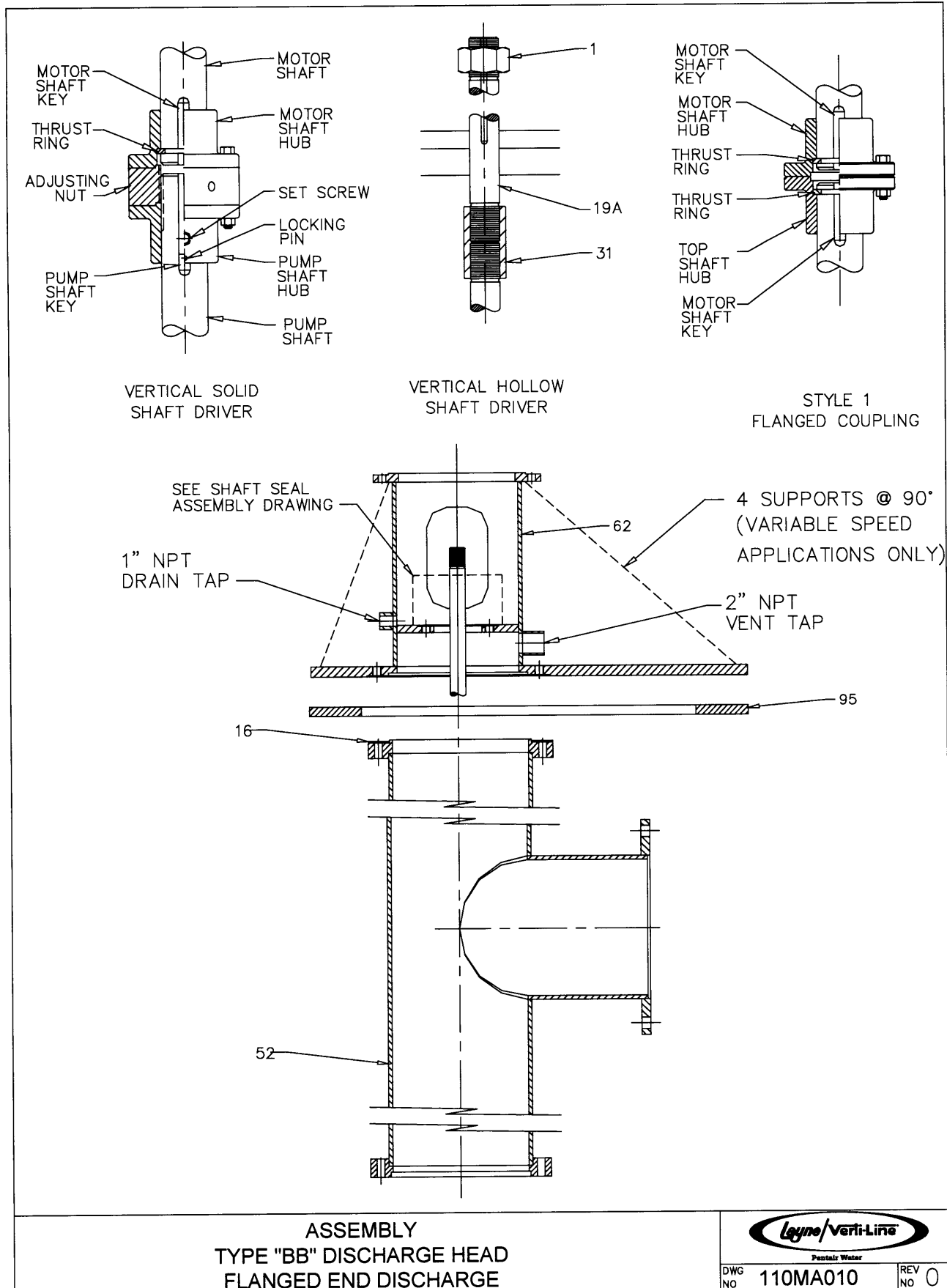




ASSEMBLY
 TYPE "T" DISCHARGE HEAD
 FLANGED DISCHARGE



DWG NO	110MA014	REV NO	0
--------	----------	--------	---



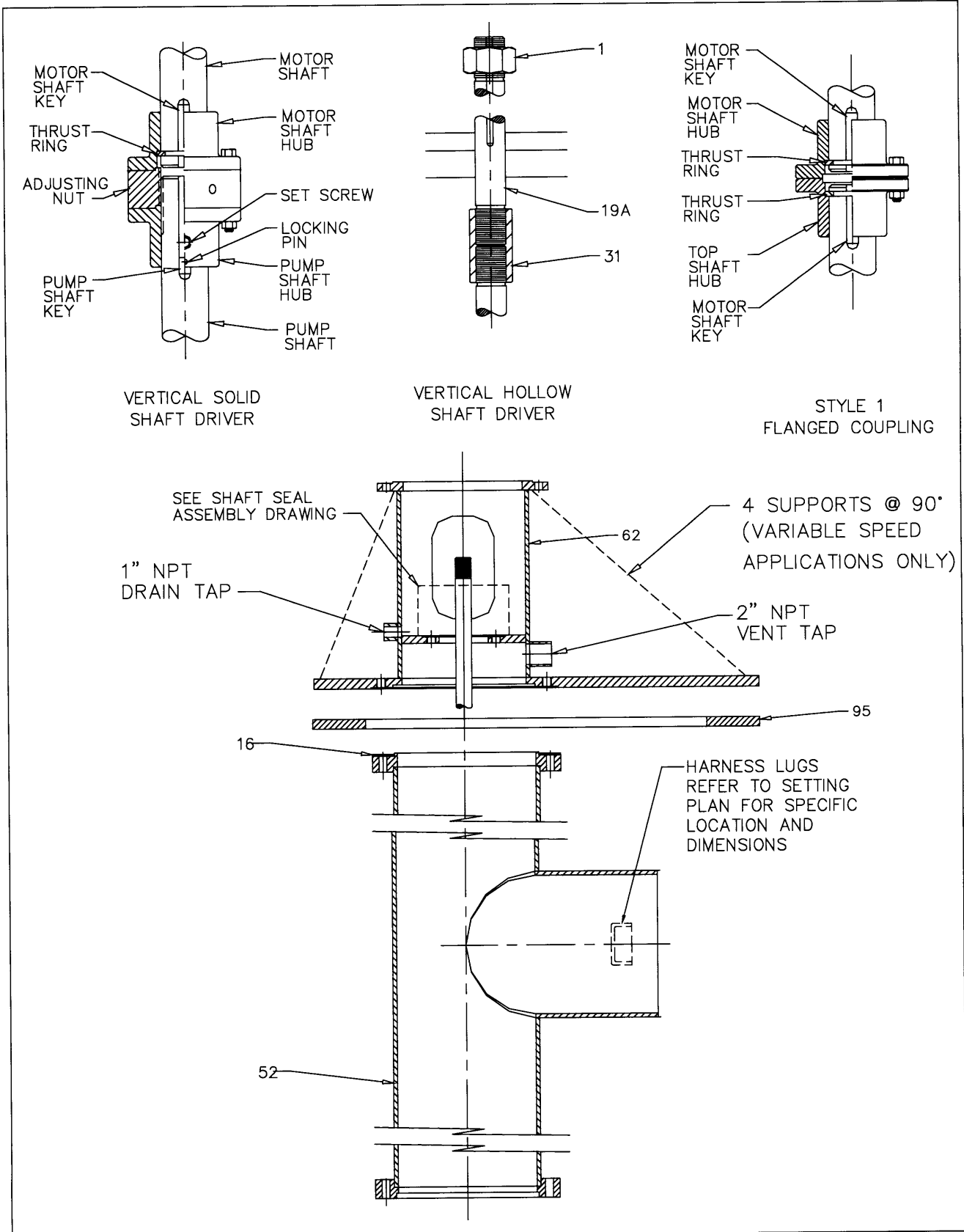
ASSEMBLY
TYPE "BB" DISCHARGE HEAD
FLANGED END DISCHARGE



Pentair Water

DWG NO 110MA010

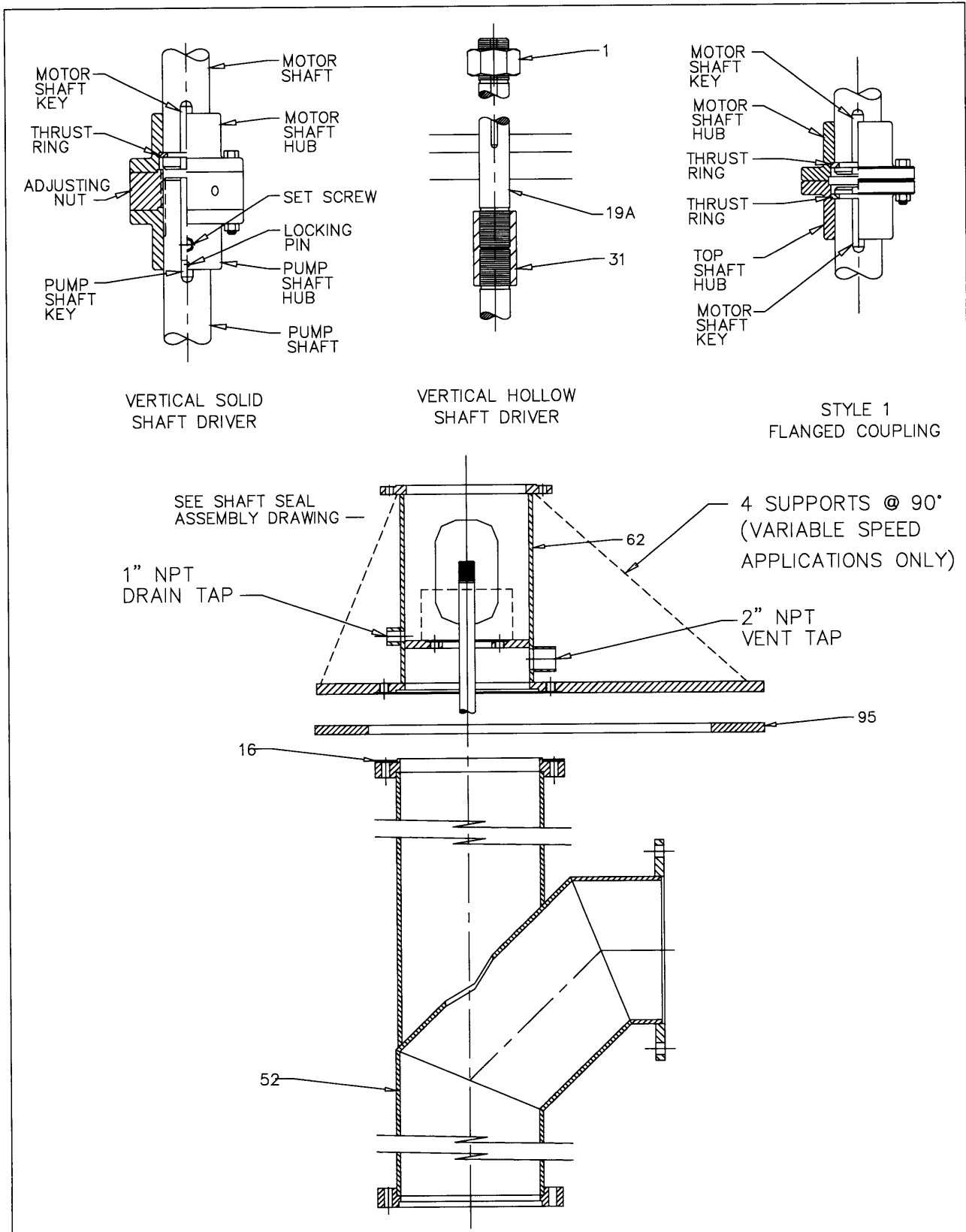
REV NO 0



ASSEMBLY
 TYPE "BB" DISCHARGE HEAD
 PLAIN END DISCHARGE



DWG NO 110MA011 REV NO 0



VERTICAL SOLID
SHAFT DRIVER

VERTICAL HOLLOW
SHAFT DRIVER

STYLE 1
FLANGED COUPLING

SEE SHAFT SEAL
ASSEMBLY DRAWING

1" NPT
DRAIN TAP

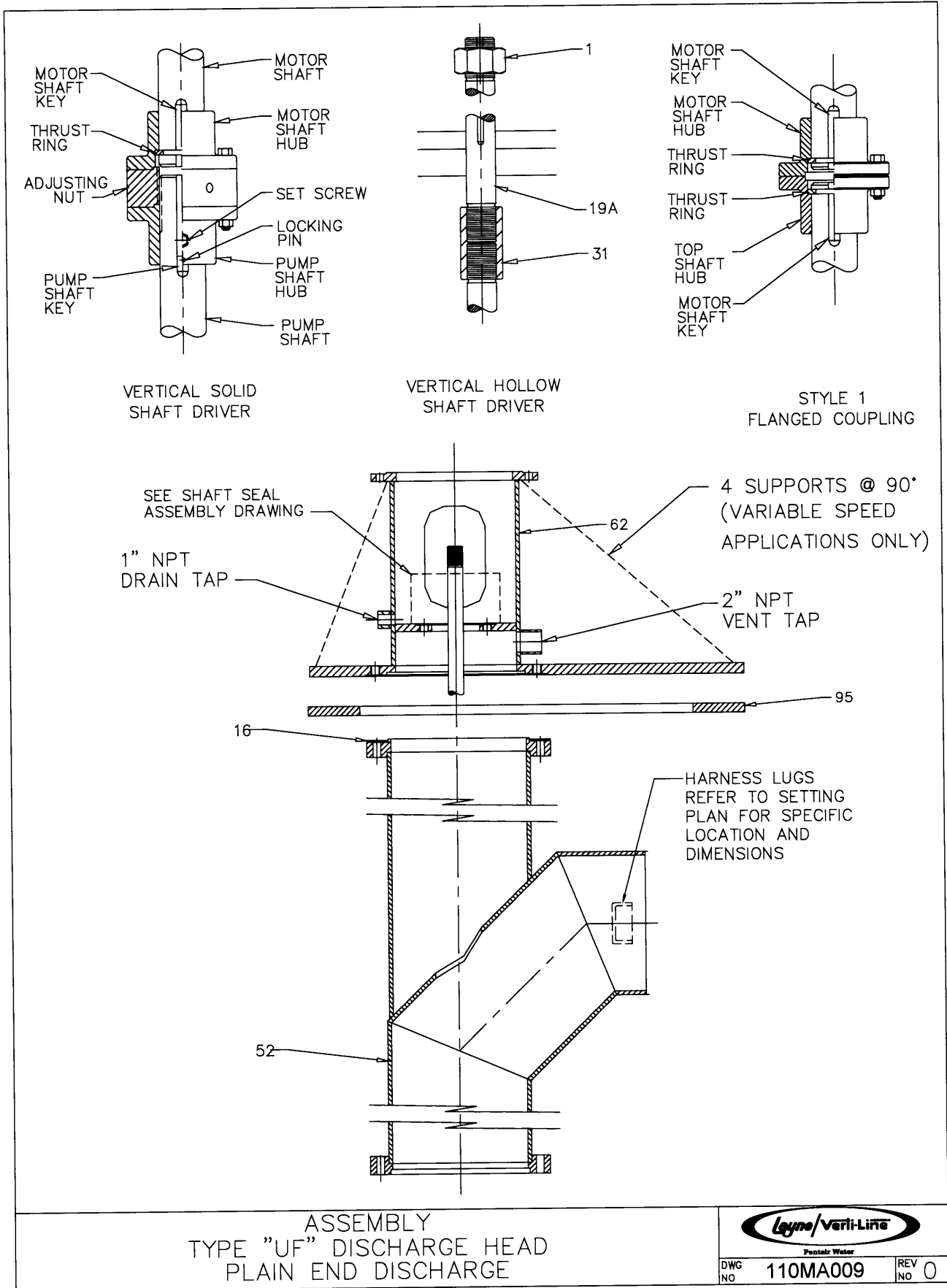
4 SUPPORTS @ 90°
(VARIABLE SPEED
APPLICATIONS ONLY)

2" NPT
VENT TAP

ASSEMBLY
TYPE "UF" DISCHARGE HEAD
FLANGED END DISCHARGE



DWG NO	110MA008	REV NO	0
-----------	----------	-----------	---



Layne/Verti-Line Pumps & Water		
DWG NO	110MA009	REV NO 0

NOTES